

Code and Color Olympic Medals

Algorithm Pages

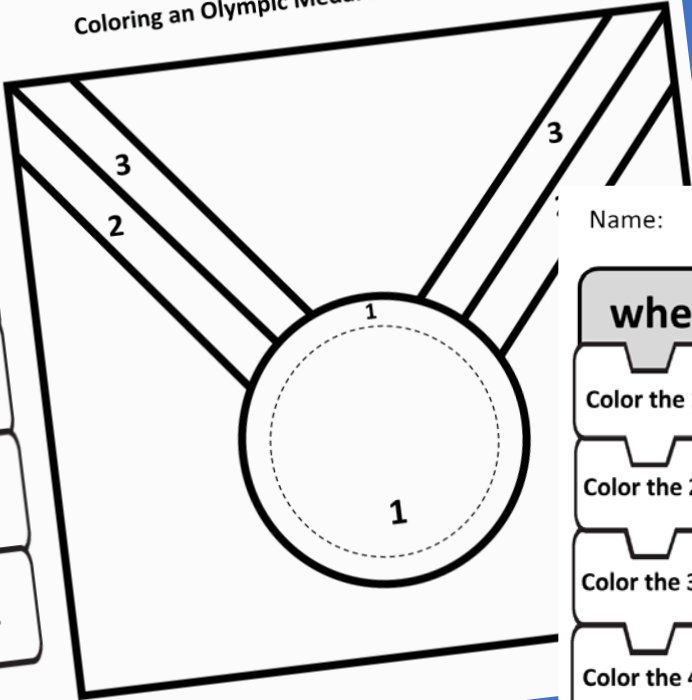
Created by Deirdre Smith of JDaniel4's Mom

Name: _____

Coloring an Olympic Medal Based on an Algorithm

when run ▶

- Color the 1 spaces gold.
- Color the 2 spaces blue.
- Color the 3 spaces red.
- Color the season and year on the medal.
- Color the background.

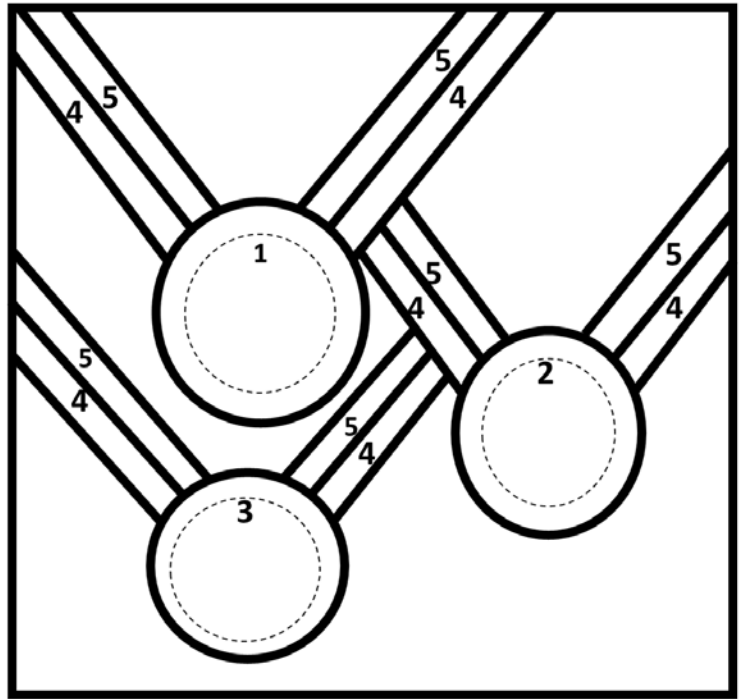


Name: _____

Coloring Olympic Medals Based on an Algorithm

when run ▶

- Color the 1 spaces .
- Color the 2 spaces .
- Color the 3 spaces .
- Color the 4 spaces .
- Color the 5 spaces .
- Write the season and year on each medal.
- Decorate the background.



JDaniel4sMom.com

Name: _____

Coloring an Olympic Medal Based on an Algorithm

when run ▶

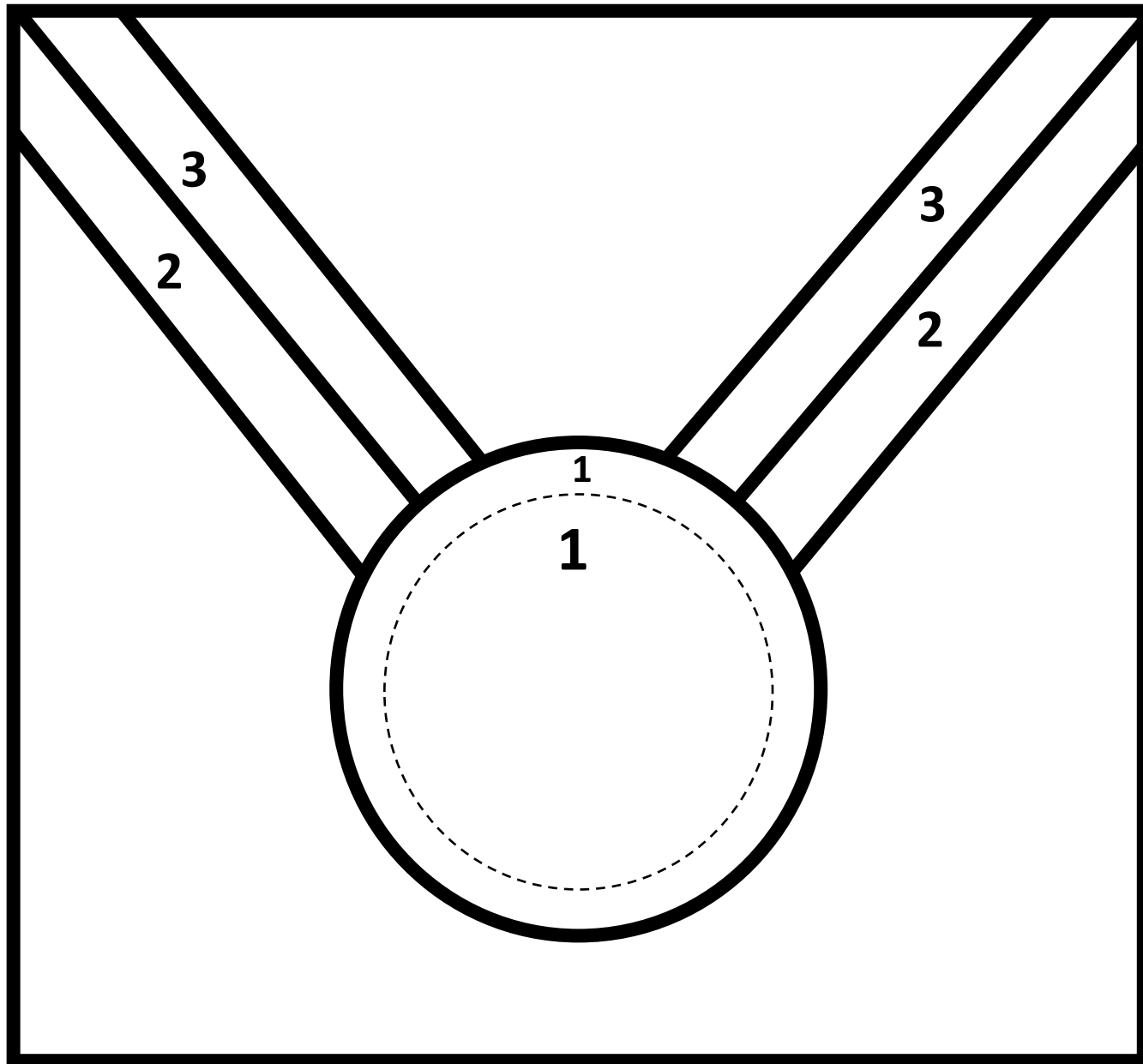
Color the 1 spaces gold.

Color the 2 spaces blue.

Color the 3 spaces red.

Write the season and
year on the medal.

Color the background.



Name: _____

Coloring a Medal Based on an Algorithm

when run ▶

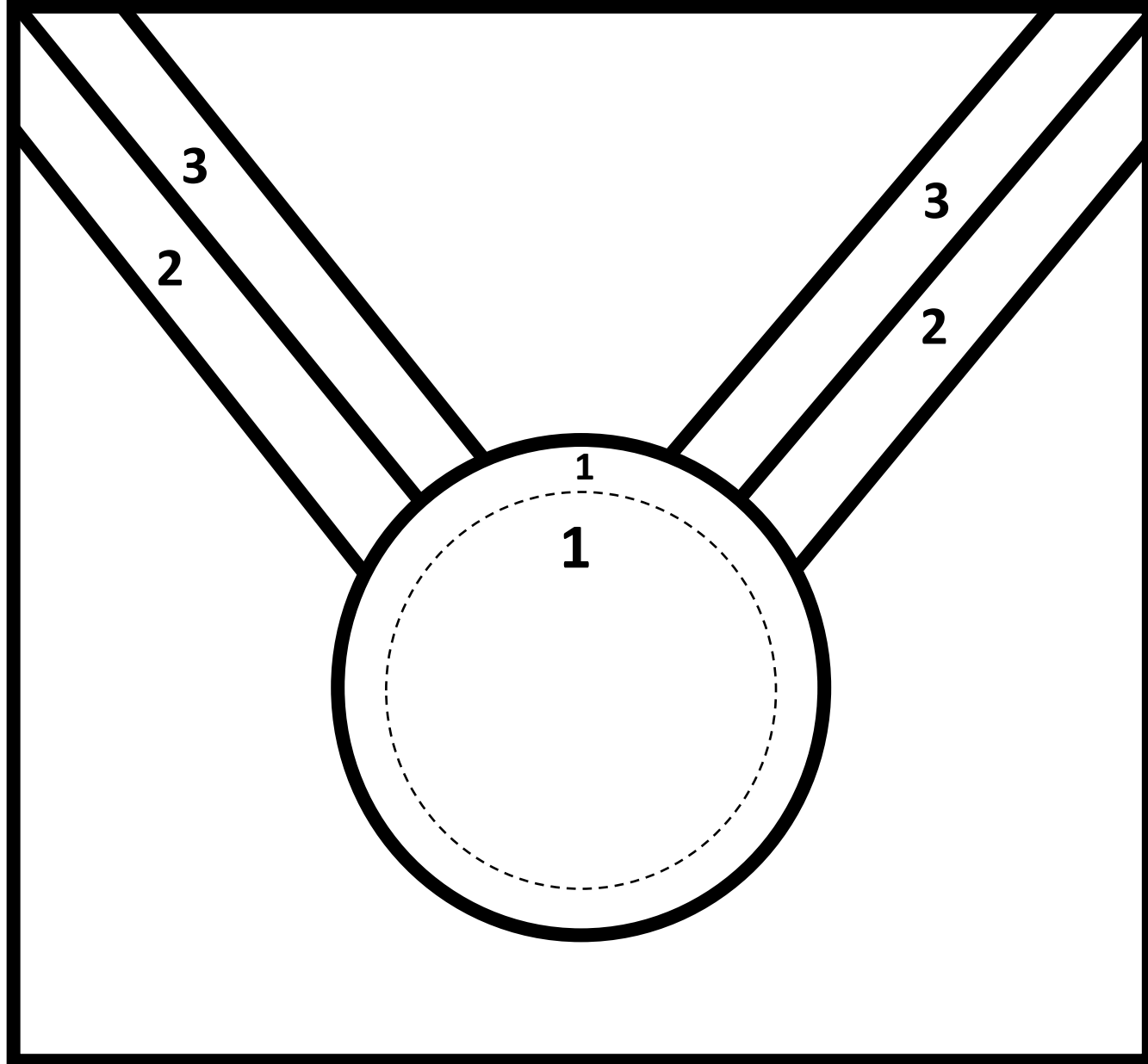
Color the 1 spaces gold.

Color the 2 spaces blue.

Color the 3 spaces red.

Write the season and
year on the medal.

Color the background.



Name: _____

Coloring an Olympic Medal Based on an Algorithm

when run 

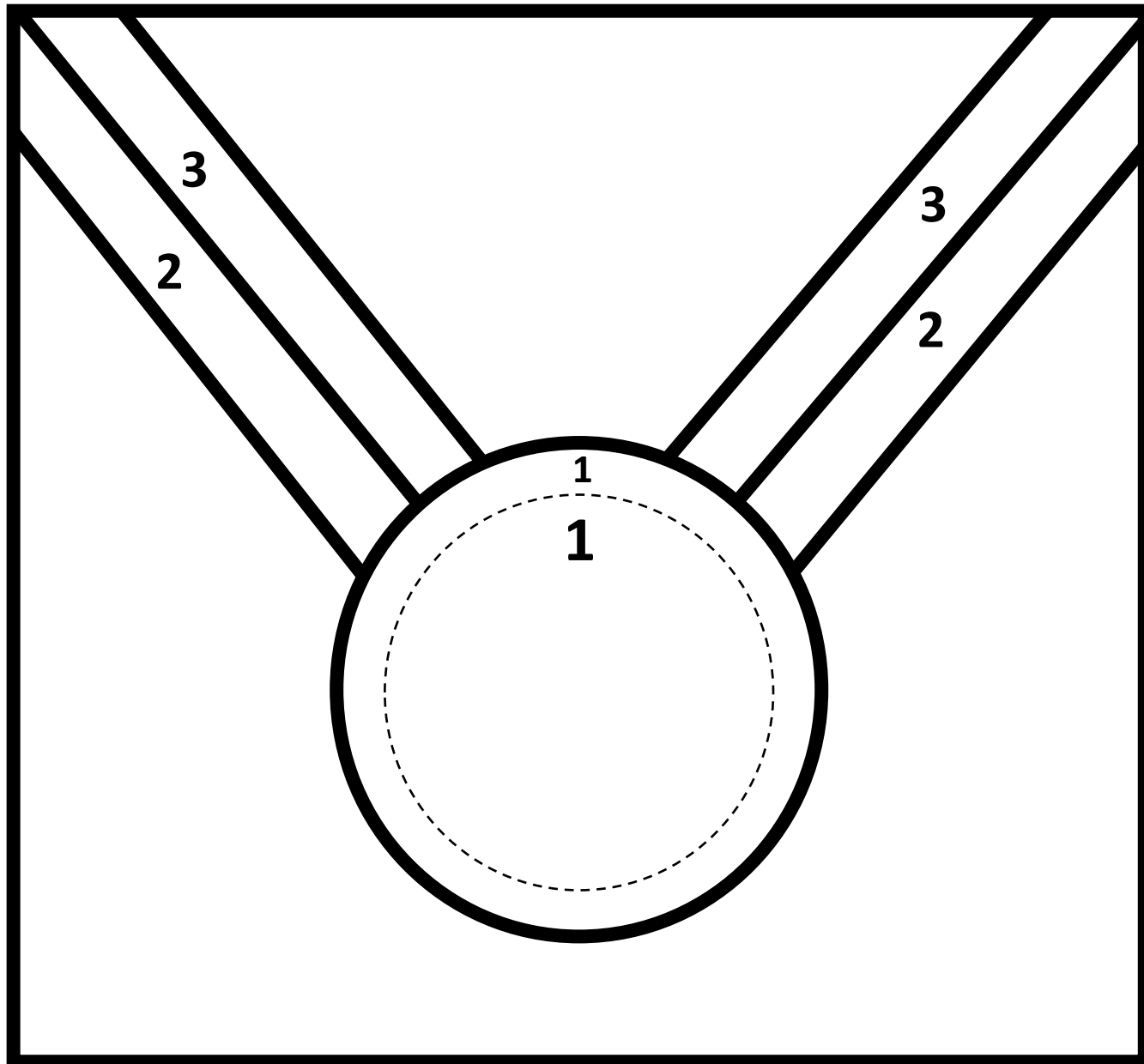
Color the 1 spaces .

Color the 2 spaces .

Color the 3 spaces .

Write the season and
year on the medal.

Color the background.



Name: _____

Coloring a Medal Based on an Algorithm

when run 

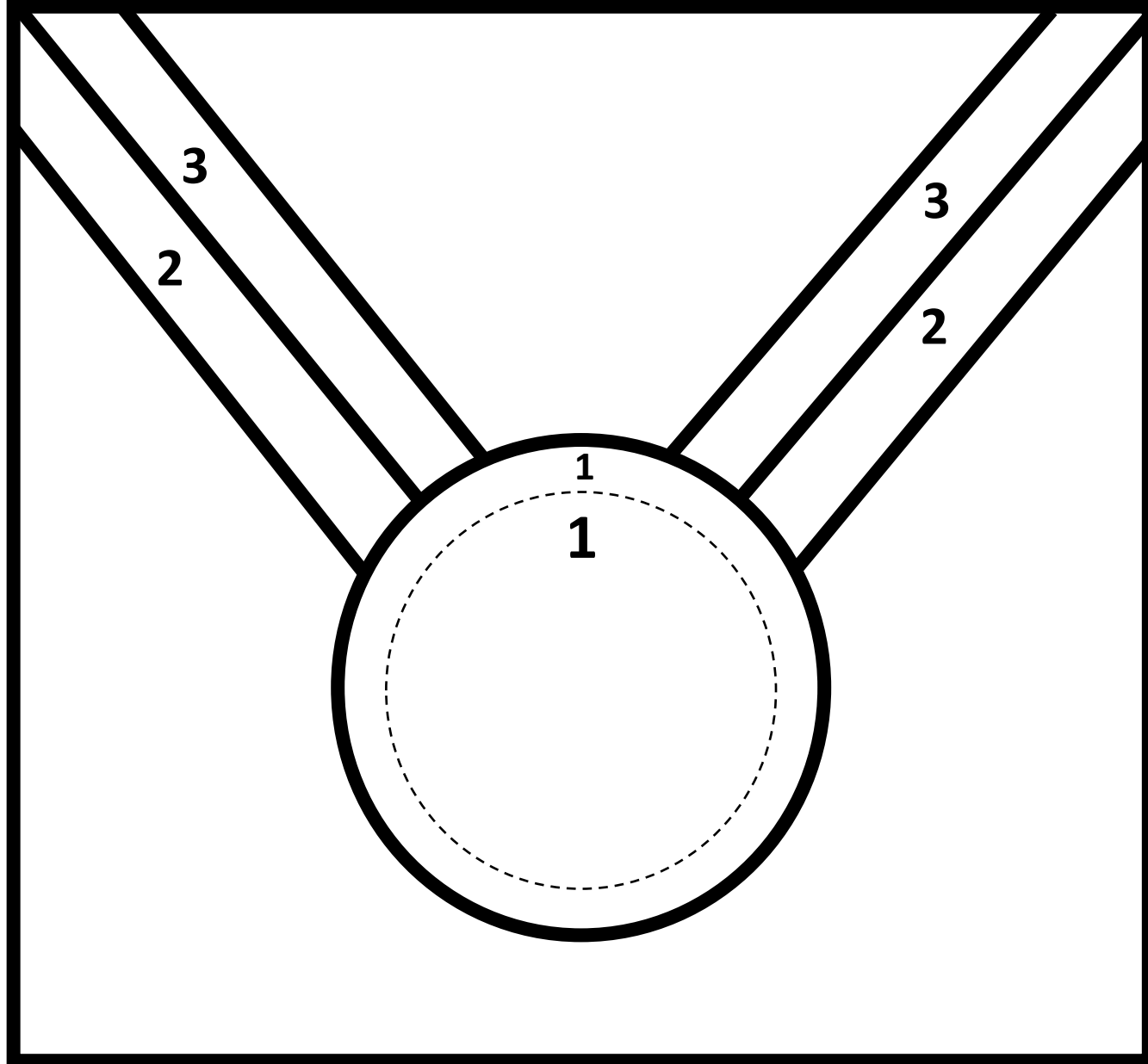
Color the 1 spaces .

Color the 2 spaces .

Color the 3 spaces .

Write the season and
year on the medal.

Color the background.



Name: _____

Coloring Olympic Medals Based on an Algorithm

when run ▶

Color the 1 spaces gold.

Color the 2 spaces silver.

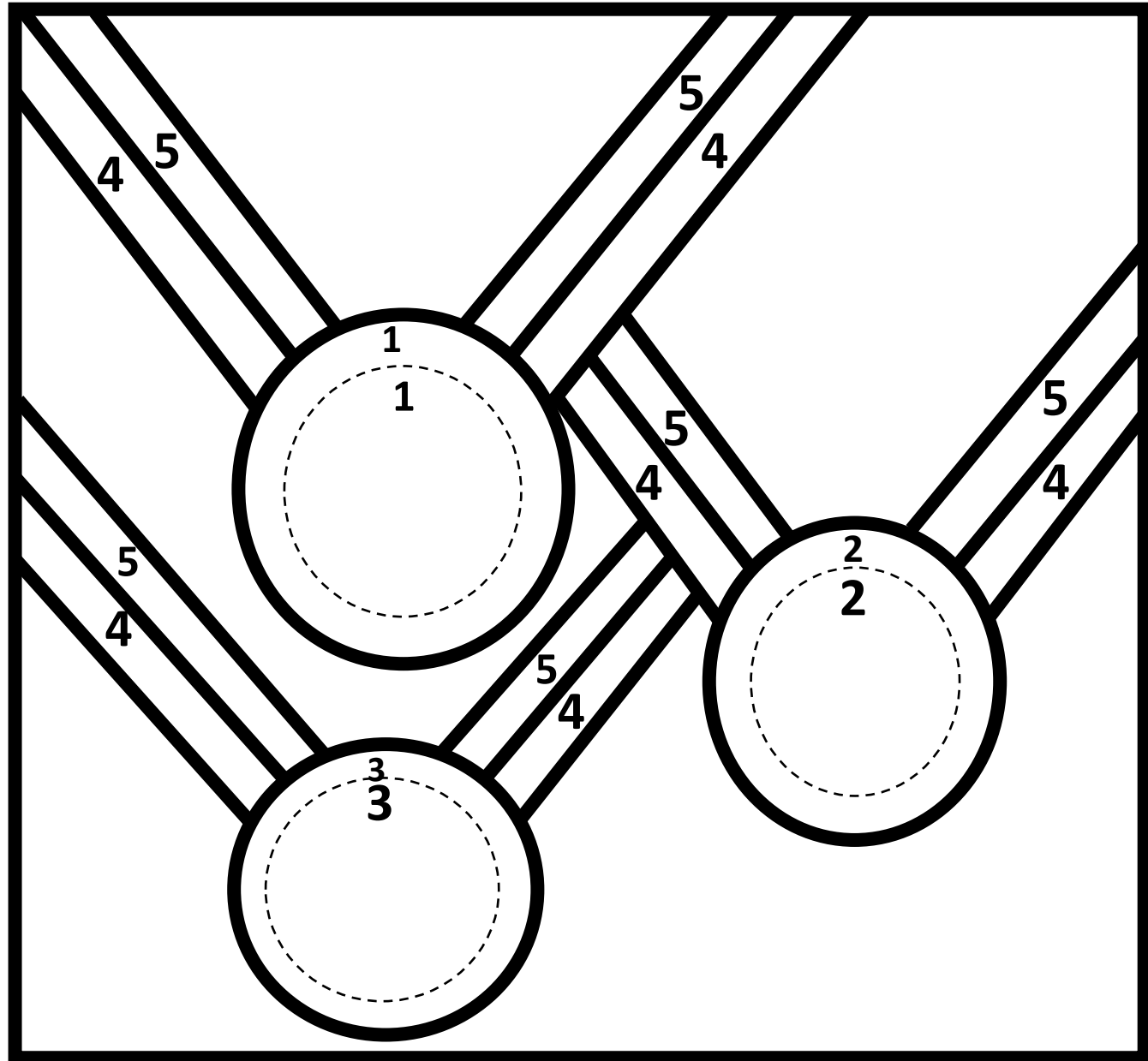
Color the 3 spaces bronze.

Color the 4 spaces red.

Color the 5 spaces blue.

Write the season and year on each medal.

Decorate the background.



Name: _____

Coloring Medals Based on an Algorithm

when run ▶

Color the 1 spaces gold.

Color the 2 spaces silver.

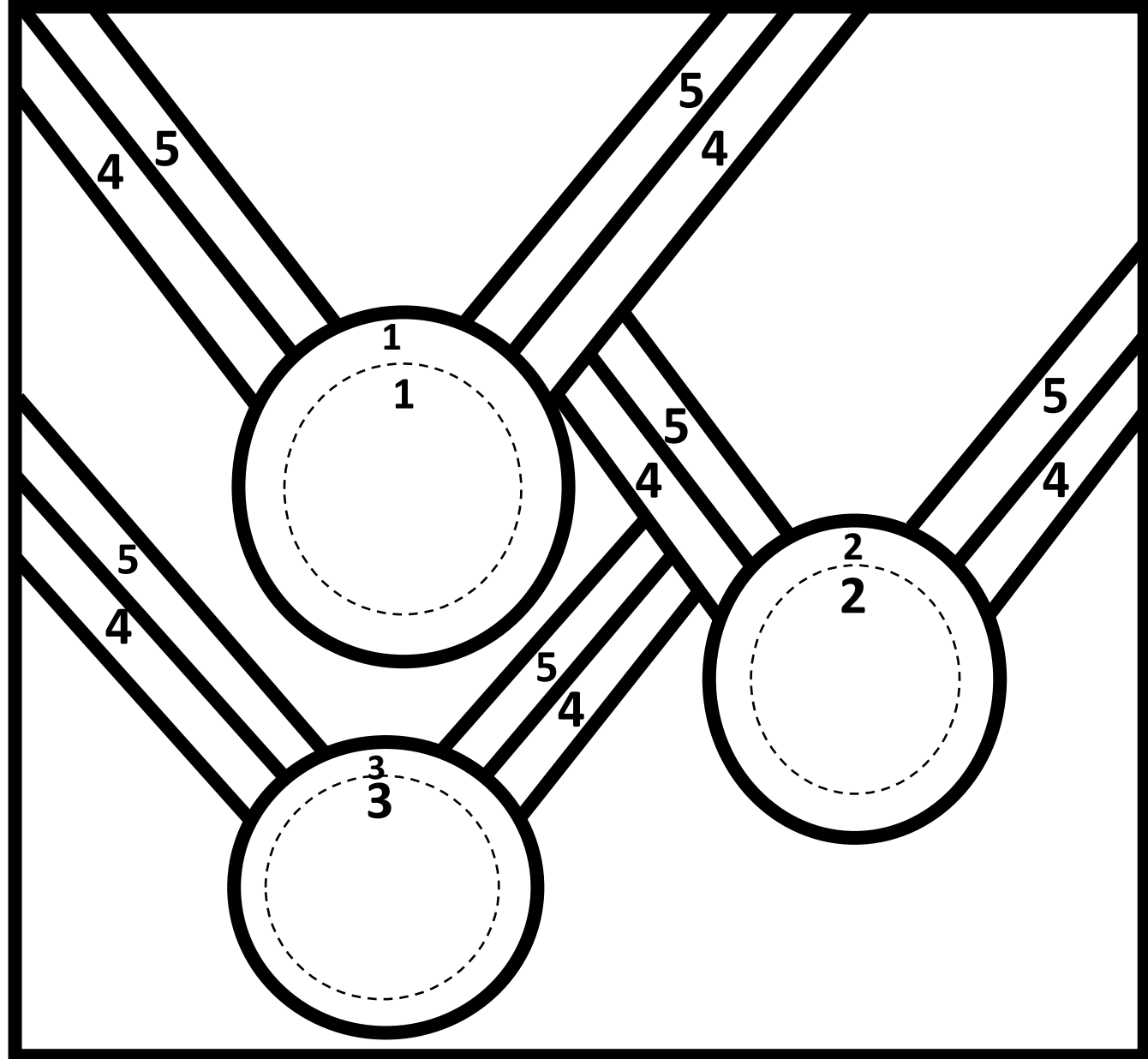
Color the 3 spaces bronze.

Color the 4 spaces red.

Color the 5 spaces blue.

Write the season and year on each medal.

Decorate the background.



Name: _____

Coloring Olympic Medals Based on an Algorithm

when run ▶

Color the 1 spaces yellow.

Color the 2 spaces gray.

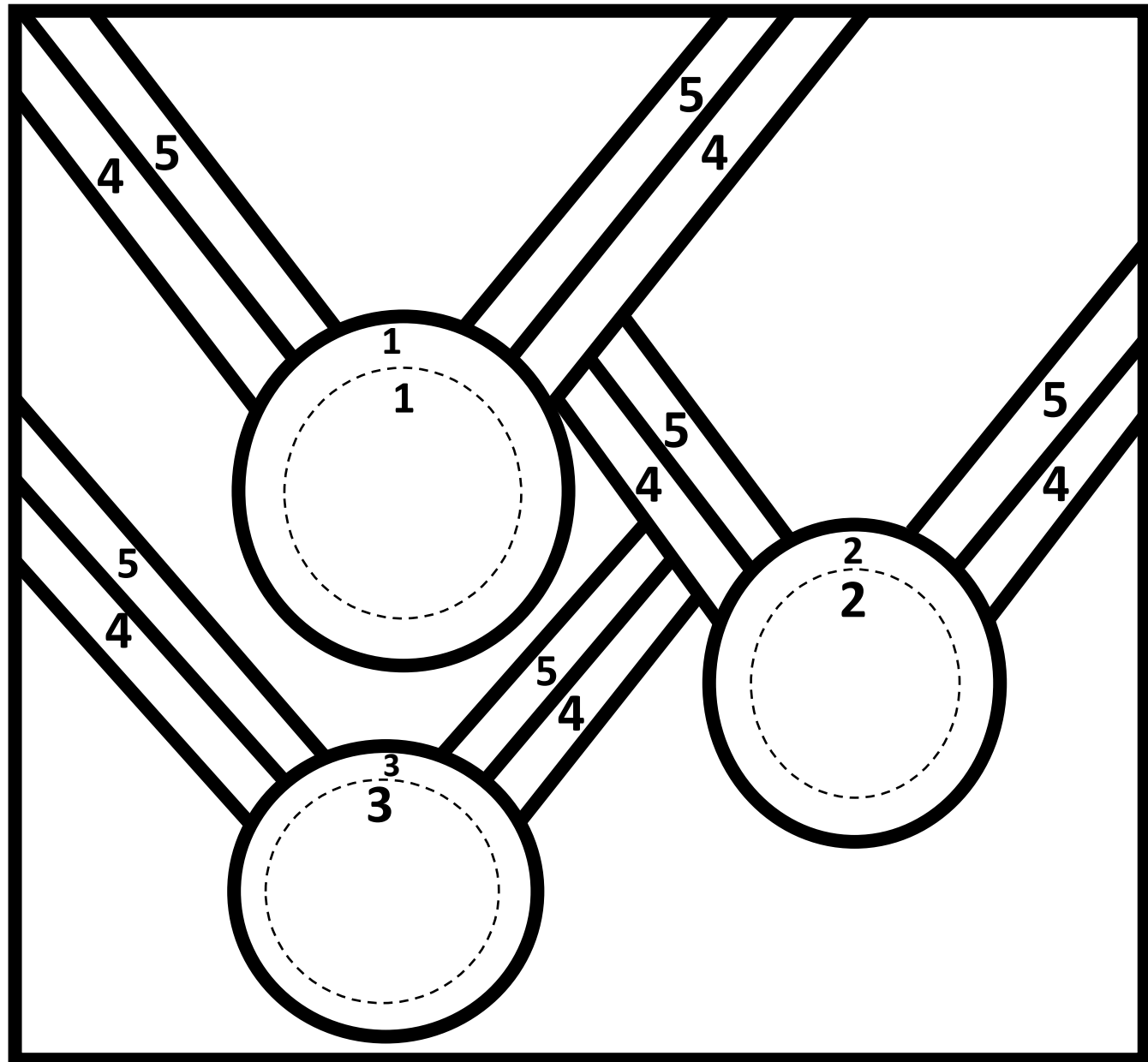
Color the 3 spaces tan.

Color the 4 spaces red.

Color the 5 spaces blue.

Write the season and year
on each medal.

Decorate the background.



Name: _____

Coloring Olympic Medals Based on an Algorithm

when run ▶

Color the 1 spaces yellow.

Color the 2 spaces gray.

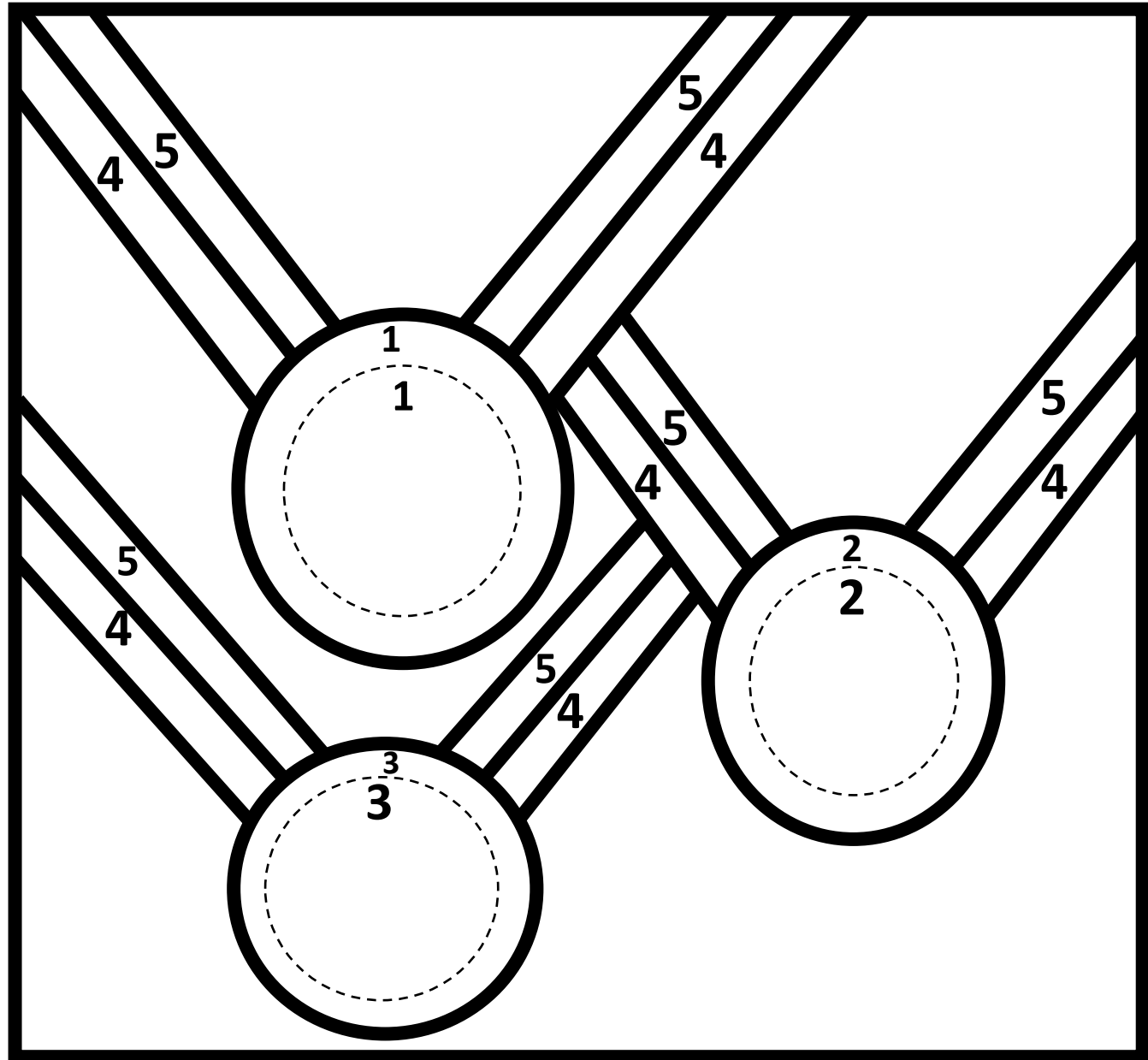
Color the 3 spaces tan.

Color the 4 spaces red.

Color the 5 spaces blue.

Write the season and year
on each medal.

Decorate the background.



Name: _____

Coloring Medals Based on an Algorithm

when run ▶

Color the 1 spaces yellow.

Color the 2 spaces gray.

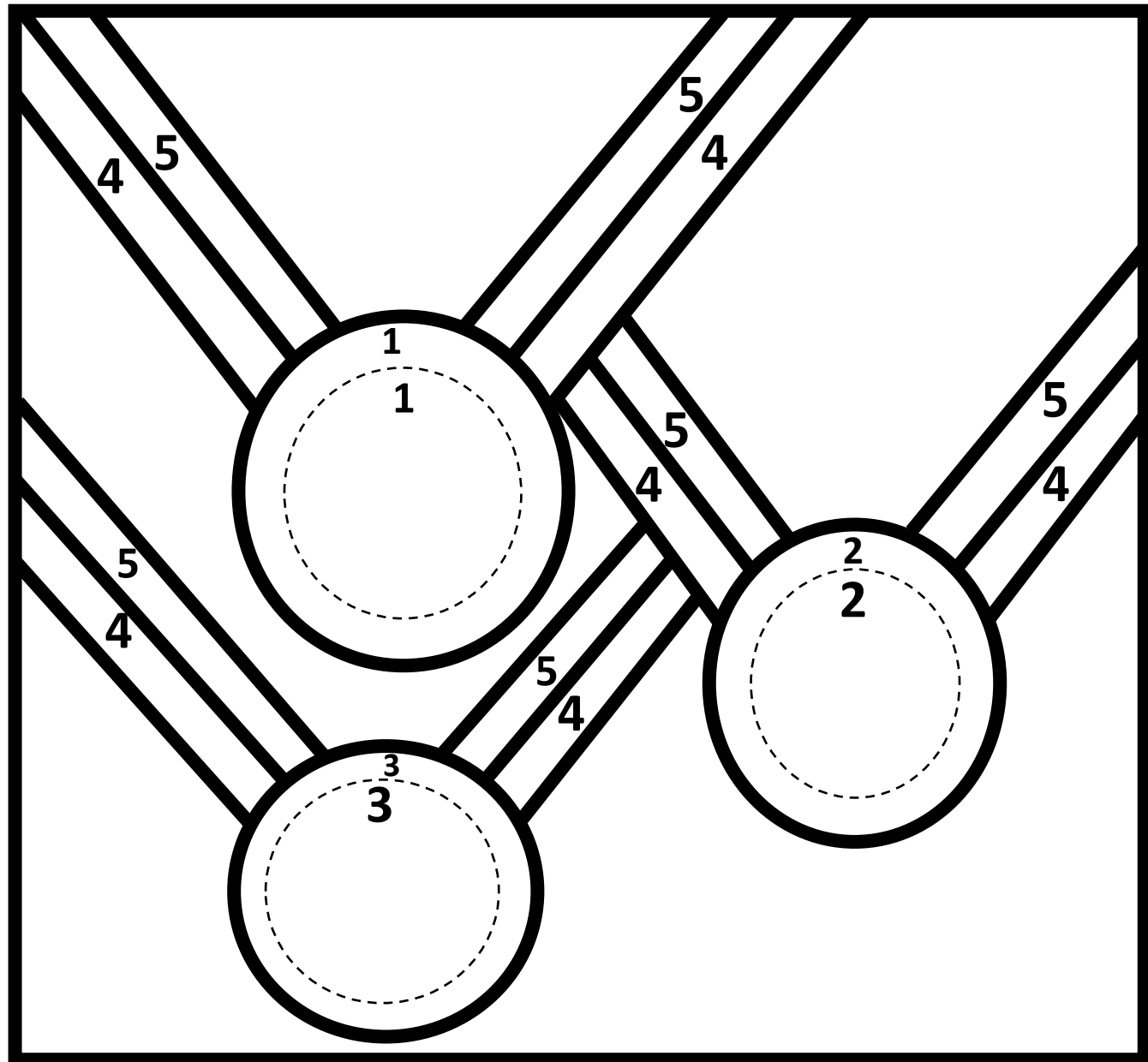
Color the 3 spaces tan.

Color the 4 spaces red.

Color the 5 spaces blue.

Write the season and year on each medal.

Decorate the background.



Name: _____

Coloring Olympic Medals Based on an Algorithm

when run 

Color the 1 spaces .

Color the 2 spaces .

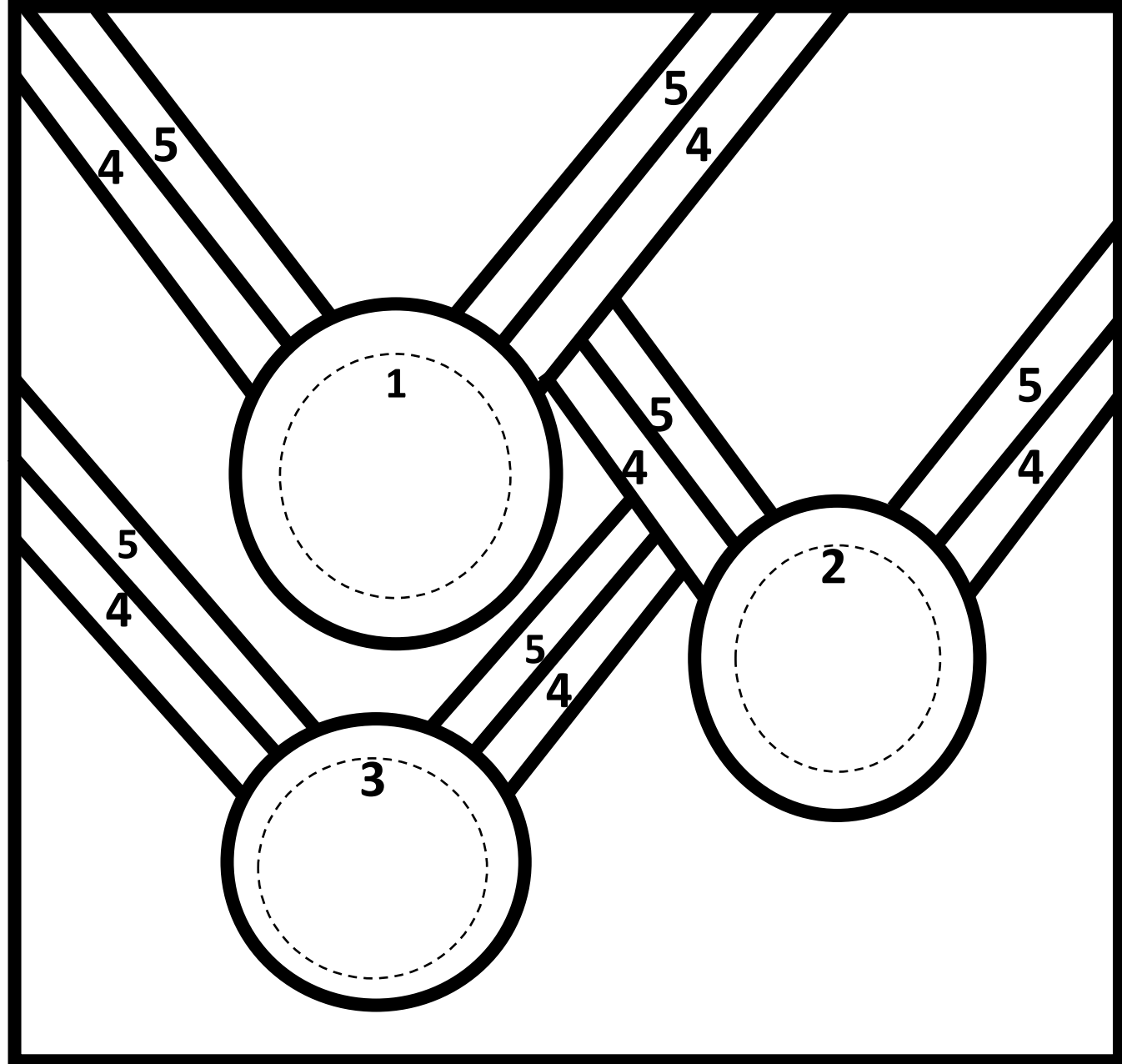
Color the 3 spaces .

Color the 4 spaces .

Color the 5 spaces .

Write the season and year on each medal.

Decorate the background.



Name: _____

Coloring Medals Based on an Algorithm

when run 

Color the 1 spaces .

Color the 2 spaces .

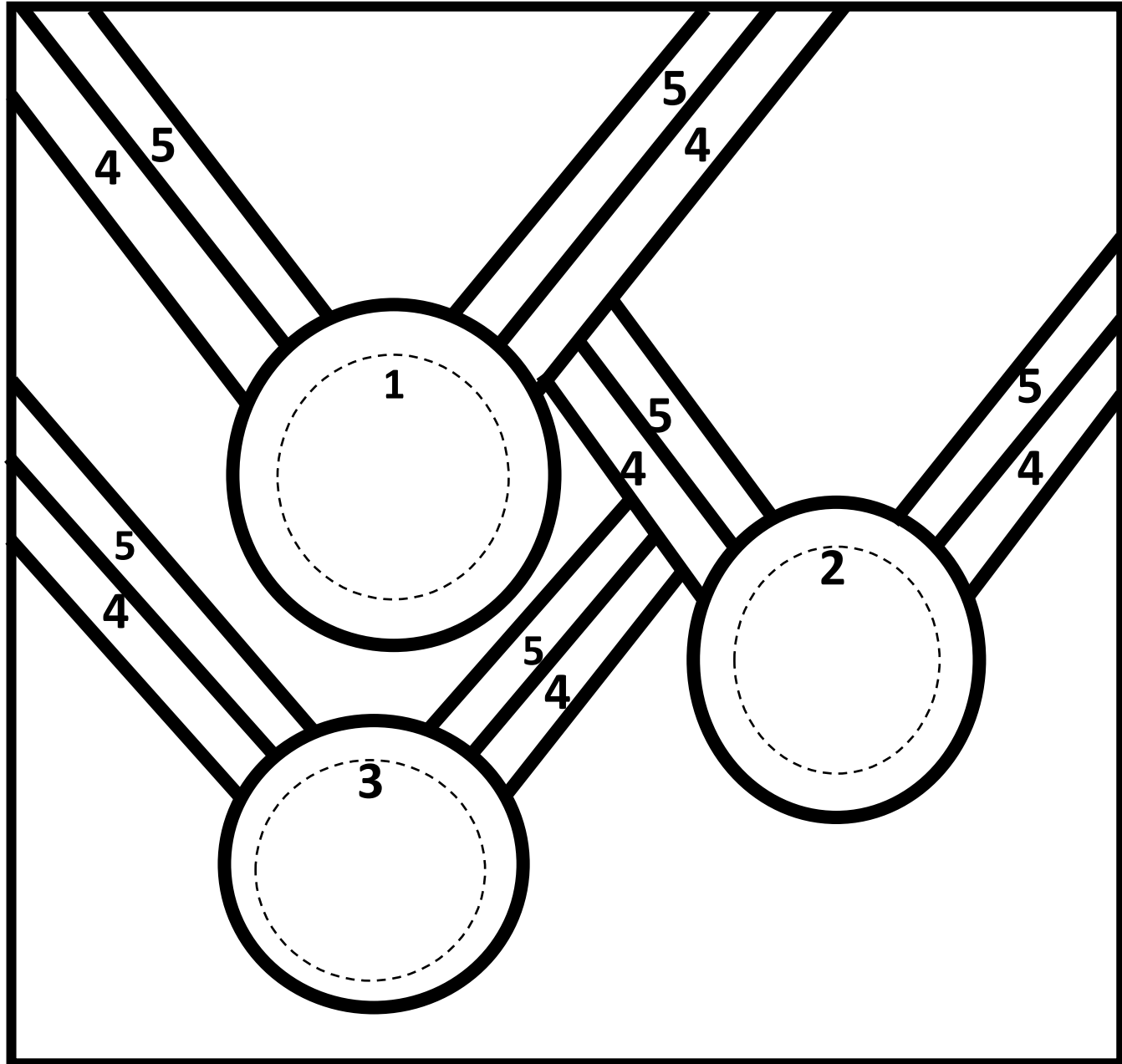
Color the 3 spaces .

Color the 4 spaces .

Color the 5 spaces .

Write the season and year on each medal.

Decorate the background.





Thank you for downloading this set.
I hope your children enjoy this JDaniel4's Mom resource.

You will find updates on my latest tools on the following:

Instagram: <https://www.instagram.com/jdaniel4smom>

Facebook: <https://www.facebook.com/jdaniel4smom/>

Twitter: <https://twitter.com/jdaniel4smom?lang=en>

Pinterest: <https://www.pinterest.com/jdaniel4smom>

What is in the set?

- **3 Code and Color Olympic Medal Algorithm Pages**
- **2 Choose Your Color Olympic Medal Algorithm Pages**